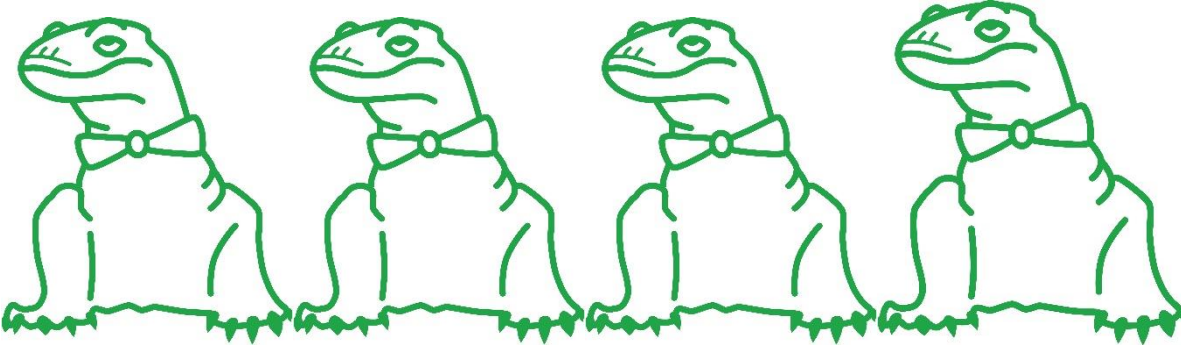


Perfboard Layout Diagram

Assembled and documented by David Cain



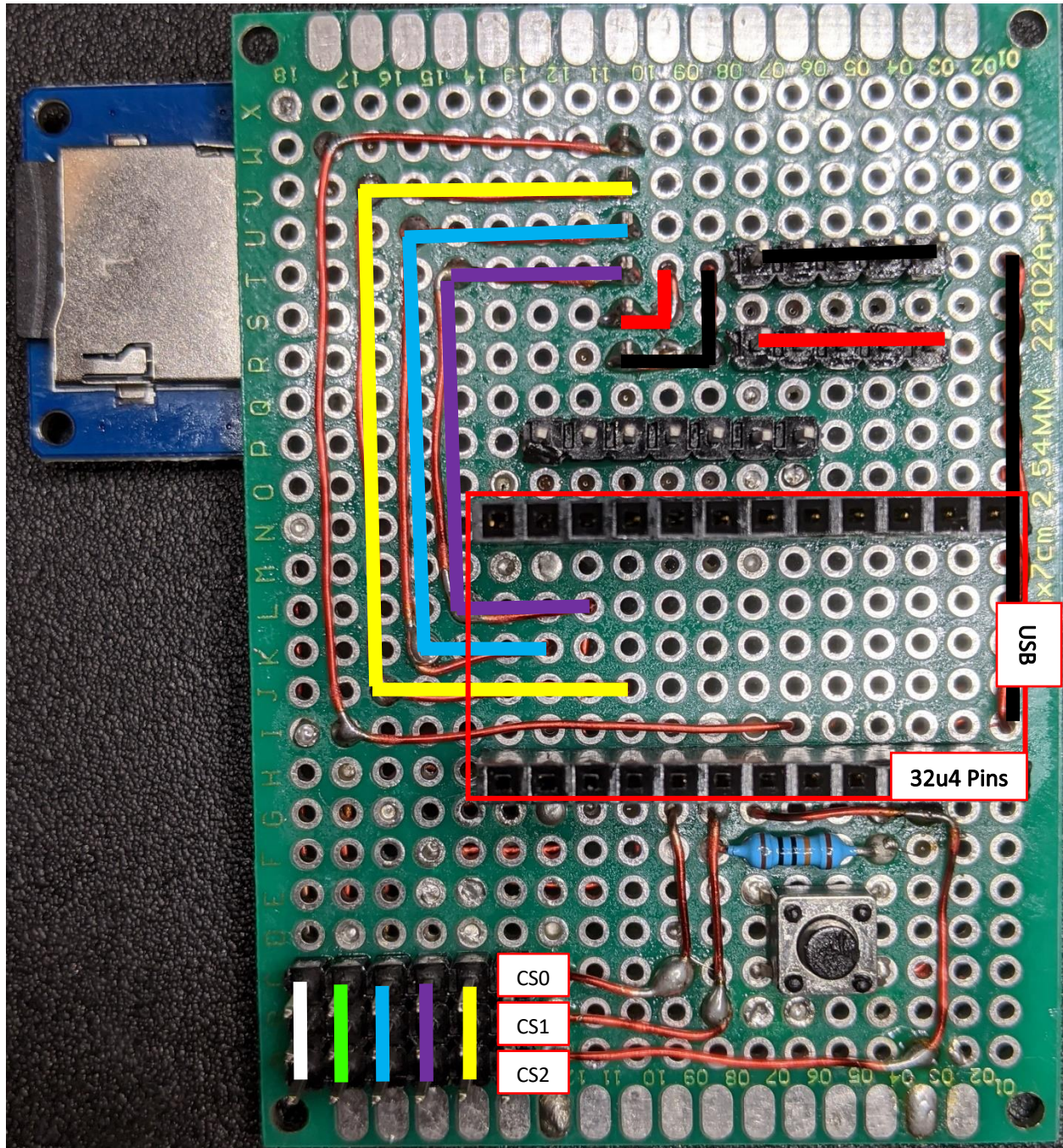
Legend

- General signals are covered by the legend. Other signals like button inputs and chip selects will be notated on the photo or can be referenced with the included pinout.

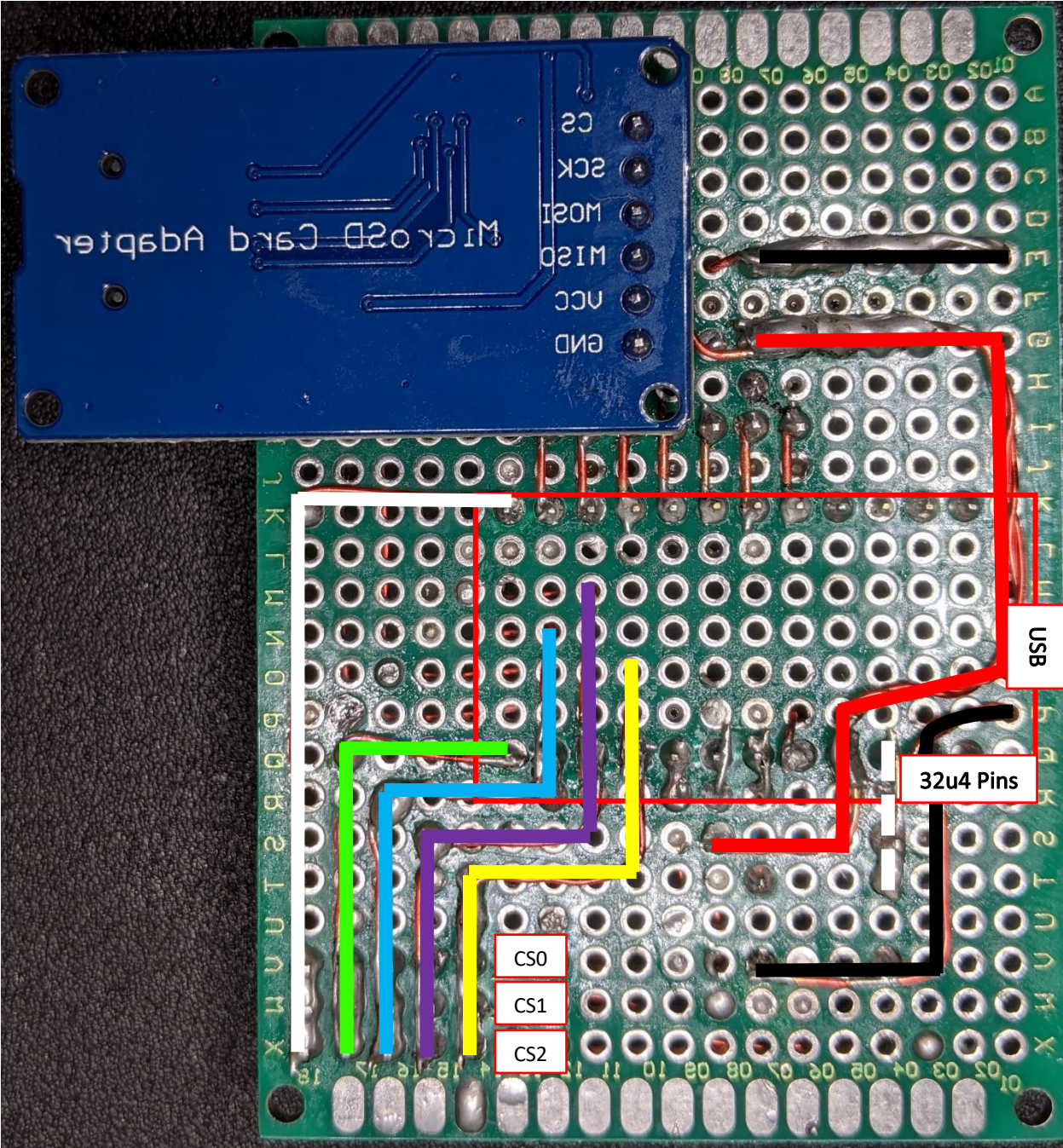
Signal	Color
5V	Red
Ground	Black
Atmega 32u4 Reset	Dotted White
OLED Reset	White
OLED DC	Green
MOSI	Blue
MISO	Purple
SCK	Yellow

(Pinout is at EOD)

Top Side



Bottom Side



Pinout

